

INSTRUCTION SHEET

Padlock Cover For 22/30 HS2P Safety Plug And Key Selector Switch

Confirm that the delivered product is what you have ordered. Read this instruction sheet to make sure of correct operation. Make sure that the instruction sheet is kept by the end user.

Safety Precautions

In this operation instruction sheet, safety precautions are categorized in order of importance to Warning and Caution:

WARNING

Warning notices are used to emphasize that improper operation may cause severe personal injury or death.

CAUTION

Caution notices are used where inattention might cause personal injury or damage to equipment.

1 Type

HS9Z-PC22 (For 22)
HS9Z-PC30 (For 30)

2 Specifications

Applicable model	For 22	ASW K
	For 30	HS2P, ASN K, ASTN K, ASD K
Applicable shackle diameter of padlock	5.5 ~ 7.5 mm	
Withstand force	30N or more	
Weight (approximately)	55g	

Refer to the specifications of the HS2P safety plug and ASW K, ASN K, ASTN K, ASD K key selector switch for the specifications of the safety plug and key selector switch used.

Note: HS9Z-PC22(For 22) cannot be used for HW1K and LW K. Moreover, the nameplate for the HW series cannot be used.

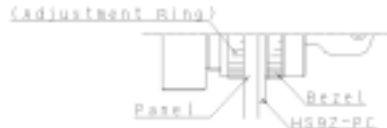
3 Mounting

The direction to install the HS9Z-PC is installed is as shown in the following figure.



< HS9Z-PC22 >
Installation on ASW K

Do not use the anti-rotation ring or nameplate which is an optional accessory of ASW K.
Install the HS9Z-PC between the panel and the bezel (see below). For panel mounting, refer to the instruction of TW control units.

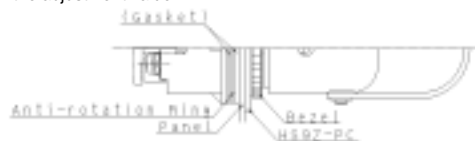


When using the panel thickness adjustment ring, add the thickness of the HS9Z-PC (2.0 mm) to the adjustment value.

< HS9Z-PC30 >

Installation on HS2P

Install the HS9Z-PC between the panel and the bezel (see below). Refer to the panel mounting method of the HS2P safety plug.
When adjusting the number of gaskets to suit the mounting panel thickness, add the thickness of the HS9Z-PC (2.0 mm) to the adjustment value.



Installation on ASN K, ASTN K and ASD K

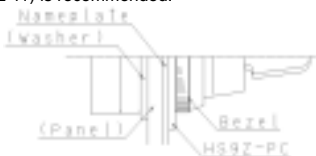
(I) When using no nameplate

To prevent the selector switch from turning, using the anti-rotation ring (OGL-11) is recommended.
Install the HS9Z-PC between the panel and the bezel (see below).
For panel mounting, refer to the instruction of ø30 mm control units.

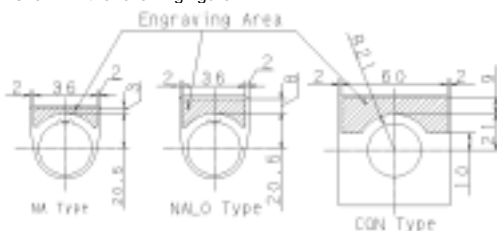


(II) When using a nameplate

Install the HS9Z-PC between the nameplate and the bezel (see below).
Anti-rotation ring (OGL-11) is not necessary when using the NA or NALO type nameplate.
When using the CQN type nameplate, using the anti-rotation ring (OGL-11) is recommended.



Symbols and marks can be engraved on the engraving area shown in the following figure.



When adjusting the rubber washer thickness to suit the mounting panel thickness, add the thickness of anti-rotation ring(0.8 mm), nameplate (0.5 mm), and the HS9Z-PC (2.0 mm) to the adjustment value.

4 Precautions for Operation

WARNING

When using the HS9Z-PC for safety-related equipment in a control system, refer to the safety standards and regulations in each country and region depending on the application purpose of the actual machines and installations to make sure of correct operation.
Also, perform risk assessment to make sure of safety before starting operation.

Read directions of the safety plug and the key selector switch used.
Make sure that the following requirements are achieved when using the HS9Z-PC.

When a plug is installed on the HS2P safety plug, or a key is inserted to the key selector switch, the HS9Z-PC cannot be closed, and the HS9Z-PC cannot be locked using a padlock or a hasp.

When the HS9Z-PC is closed on the HS2P safety plug or on the key selector switch, the plug cannot be installed on the HS2P safety plug, and a key cannot be inserted into the key selector switch.

Before closing the HS9Z-PC, make sure that the plug is removed from the HS2P safety plug, and the key is removed from key selector switch.
When the plug of the HS2P safety plug or the key of key selector switch is deformed or damaged, replace it with a new one immediately. Otherwise the HS9Z-PC may be closed while the plug or key is installed, initiating operation.

The applicable shackle diameter of padlock is ø5.5 to 7.5 mm (see below).



When using a hasp as shown below, check periodically that the narrow gap between the jaws are not widened, so that the HS9Z-PC does not fall off from the hasp.



Because a variety of shapes are available on the market for padlocks and hasps, make sure that the requirements shown with are satisfied when choosing the padlocks and hasps.

CAUTION

Keep the weight of padlocks and hasps at a maximum of 1500g on one side, and at a maximum of 3000g for total of both sides. Using padlocks and hasps weighing over the maximum allowable weight may cause the deformation of padlock, and the HS2P safety plug and key selector switch may be damaged.

Do not impose excessive shock to the HS9Z-PC, otherwise failure or damage may be caused.
Do not impose vibration while padlocks or hasps are installed, otherwise failure or damage may be caused.

The HS9Z-PC is used for following applicable model.

Do not use the padlock cover for other products.

Applicable model of the HS9Z-PC22

Key Selector Switch : ASW K

Applicable model of the HS9Z-PC30

Safety Plug : HS2P

Key Selector Switch : ASW K, AST K, ASTN K, ASD K

Make sure that locking and unlocking the padlock and hasp do not interfere with other products in proximity.

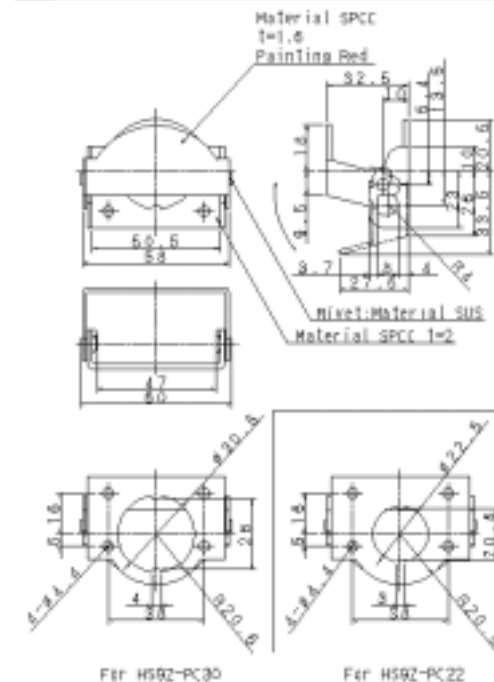
Do not ruin functions of the padlock cover by transforming, disassembling or modifying.
Stop using immediately when the padlock cover is transformed.

Padlocks and hasps are available from the following manufacturers.

Panduit Corporation (<http://www.panduit.com/>)

Master Lock Company (<http://www.masterlock.com/>)

5 Dimensions



6 Precaution for disposal

Dispose of the HS9Z-PC as an industrial waste.