

INSTRUCTION SHEET

Original Instructions

HT4P Series

Mechanical switch mount modele

Confirm that the delivered product is what you have ordered. Read this instruction sheet to make sure of correct operation. Make sure that the instruction sheet is kept by the end user.

1 Introduction

This sheet describes how to handle mechanical switch mount models. Please refer to the separate "HT4P Safety Commander Instruction Sheet (B-2456) for the general handling of the product.

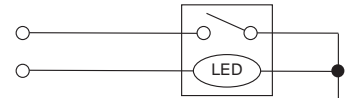
Mechanical switch mounting position



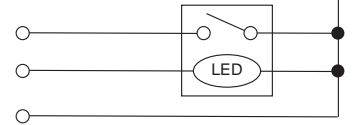
- Mechanical switch Specifications (Same of HT4P-SLSPL-W-R0001 to R0010)
 Contact Ratings (resistive) 0.1A/30V DC
 Switch LED 5mA/24V DC (21.6 to 26.4V DC)
 The switch LEDs have current limiting resistors and rectifier circuits built in.

Wiring example

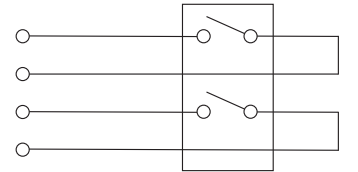
SW1: Illuminated pushbutton: 1NO contact



SW2: Illuminated pushbutton: 1NO contact



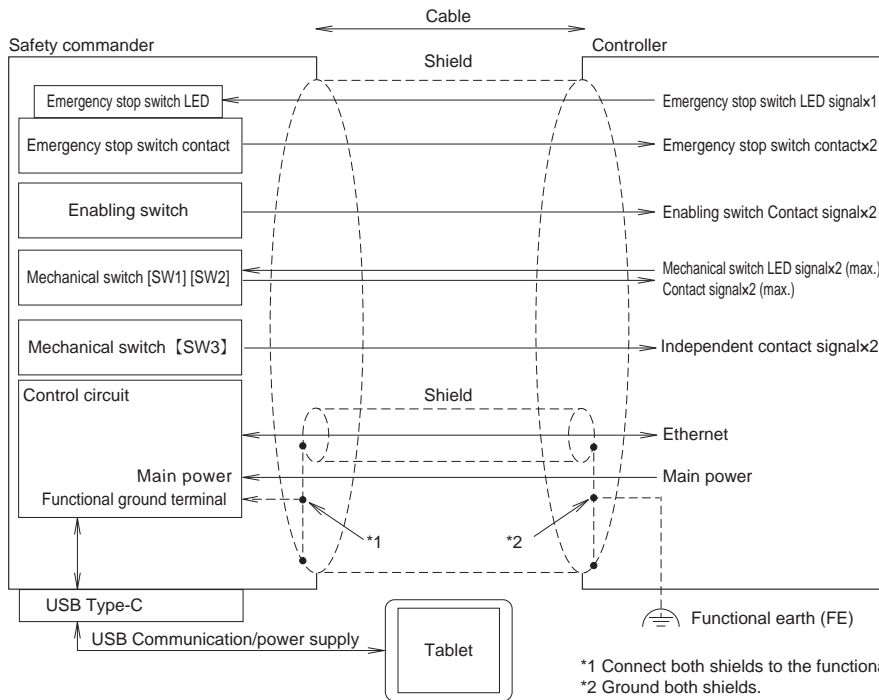
SW3: Selector switch: 2NO contact



- SW1, SW2 and LEDs have same common.
- SW3 has a 2NO contact with independent common.

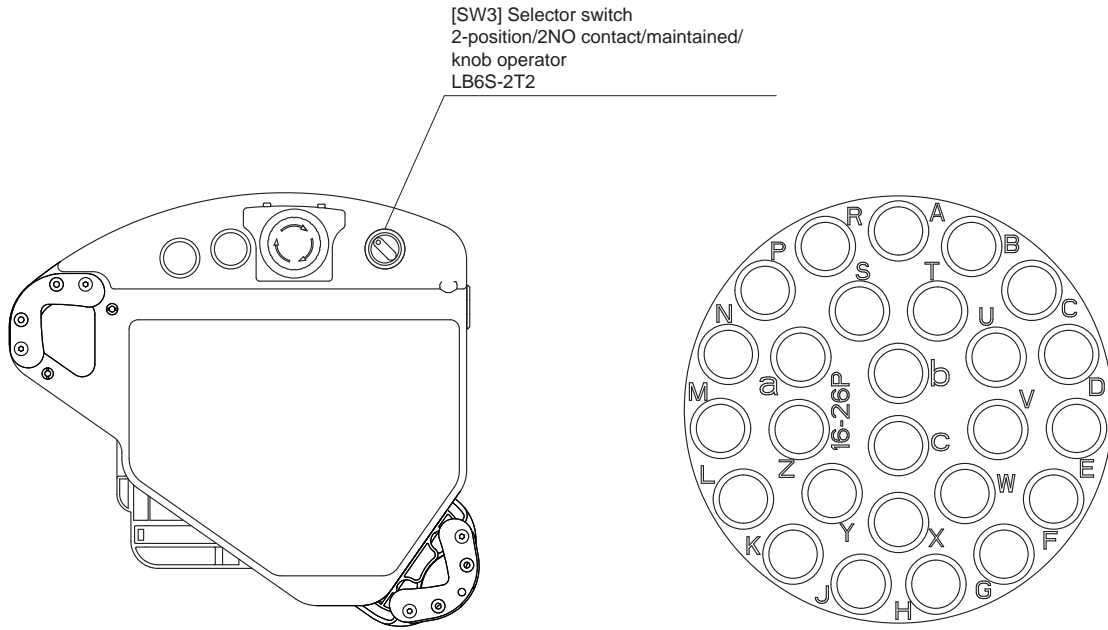
2 System configuration and Model number configuration for mechanical switch mount models

System configuration



Model number configuration for mechanical switch mount models

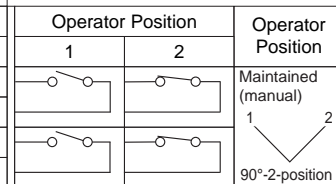
Part No.	Mounting position			Mounting image
	SW1	SW2	SW3	
HT4P-SLSPL-W-R0001	-	-	Selector switch 2-position/2NO contact/maintained/knob operator LB6S-2T2	
HT4P-SLSPL-W-R0002	-	-	Selector switch 3-position/2NO contact/maintained/knob operator LB6S-3T2	
HT4P-SLSPL-W-R0003	-	-	Key selector switch 2-position/2NO contact/maintained/disk tumbler key LB6K-2T2A	
HT4P-SLSPL-W-R0004	-	-	Key selector switch 3-position/2NO contact/maintained/disk tumbler key LB6K-3T2A	
HT4P-SLSPL-W-R0005	Illuminated pushbuttons Red/1NO contact/momentary LB6L-M1T14R	Illuminated pushbuttons Green/1NO contact/momentary LB6L-M1T14G	Key selector switch 3-position/2NO contact/maintained/disk tumbler key LB6K-3T2A	
HT4P-SLSPL-W-R0006	Illuminated pushbuttons Red/1NO contact/momentary LB6L-M1T14R	Illuminated pushbuttons Green/1NO contact/momentary LB6L-M1T14G	Selector switch 3-position/2NO contact/maintained/knob operator LB6S-2T2	
HT4P-SLSPL-W-R0007	Illuminated pushbuttons Green/1NO contact/momentary LB6L-M1T14G	-	Key selector switch 3-position/2NO contact/maintained/disk tumbler key LB6K-3T2A	
HT4P-SLSPL-W-R0008	Illuminated pushbuttons Green/1NO contact/momentary LB6L-M1T14G	-	Selector switch 2-position/2NO contact/maintained/knob operator LB6S-2T2	
HT4P-SLSPL-W-R0009	Pushbuttons White/1NO contact/momentary LB6B-M1T1W	Pushbuttons White/1NO contact/momentary LB6B-M1T1W	Selector switch 2-position/2NO contact/maintained/knob operator LB6S-2T2	
HT4P-SLSPL-W-R0010	Pushbuttons Black/NO contact/momentary LB6B-M1T1B	Illuminated pushbuttons Green/1NO contact/momentary LB6L-M1T14G	Selector switch 2-position/2NO contact/maintained/knob operator LB6S-2T2	



Connector on the HT4P main body side
 Manufacturer: Amphenol Corp.
 Type No.: RTS716N26P03

• External Interfaces

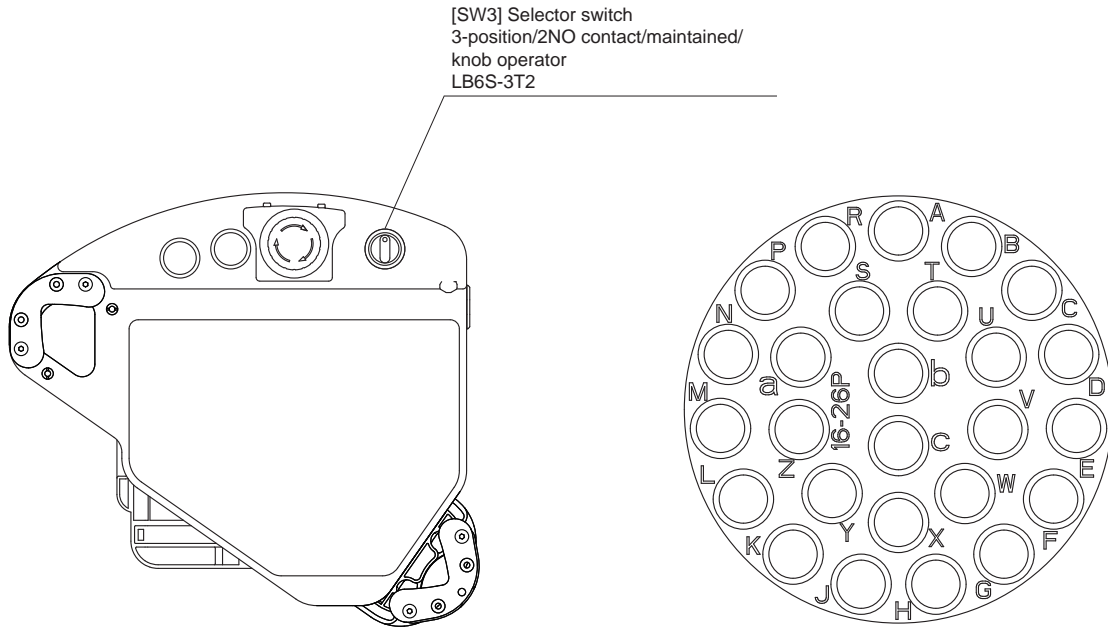
Connector symbol on the HT4P main body side	Cable Color *3	D-sub37p Pin Number *4	Function	HT4P-SLSPL-R0001
A	Black	1	Main power	24V DC+
B	White	2		24V DC-
C	Shield (Inner/Outer)	21		Functional earth terminal
D	Blue	5	Ethernet	TPO+ (Ethernet Send data+)
E	White/Blue	6		TPO- (Ethernet Send data-)
F	Orange	7		TPI+ (Ethernet Received data+)
G	White/Orange	8		TPI- (Ethernet Received data-)
H	Blue	11	Mechanical switches	Selector switch 2-position [SW3] (NO1)
J	Gray	12		Selector switch 2-position [SW3] (COM1)
K	Orange	13		Selector switch 2-position [SW3] (NO2)
L	Purple	14		Selector switch 2-position [SW3] (COM2)
M	Pink	15		-
N	Bright green	16		-
P	White/Red	17		-
S	White/Yellow	19		-
T	White/Brown	27	Emergency stop switch	LED (X1)
U	White/Blue	28		LED (X2)
V	White/Gray	29		Contact 1 (NC)
W	White/Orange	30		Contact 1 (NC)
X	White/Purple	31		Contact 2 (NC)
Y	White/Pink	32	Contact 2 (NC)	
Z	Red	33	Enabling switch	Contact 1 (COM)
a	Green	34		Contact 1 (NO)
b	Yellow	35		Contact 2 (COM)
c	Brown	36	Contact 2 (NO)	



*3 Refers to the core cable color of the optional cable "HT9Z-4PC1*M".

*4 Refers to the pin number of the D-Sub37p connector of the option cable "HT9Z-4PC1*MC".

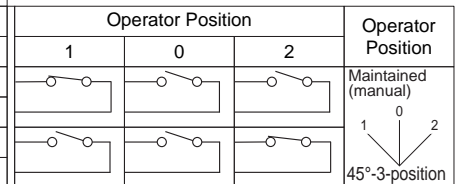
No wiring on PIN numbers 3, 4, 9, 10, 20, 22 to 26, 37.



Connector on the HT4P main body side
 Manufacturer: Amphenol Corp.
 Type No.: RTS716N26P03

• External Interfaces

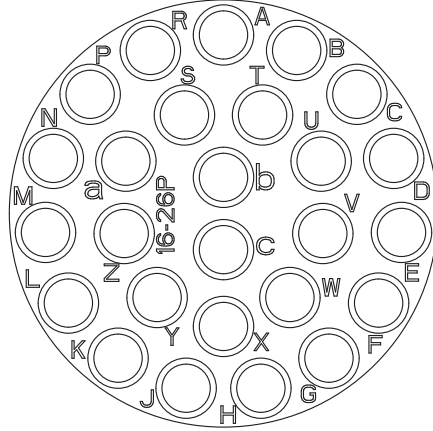
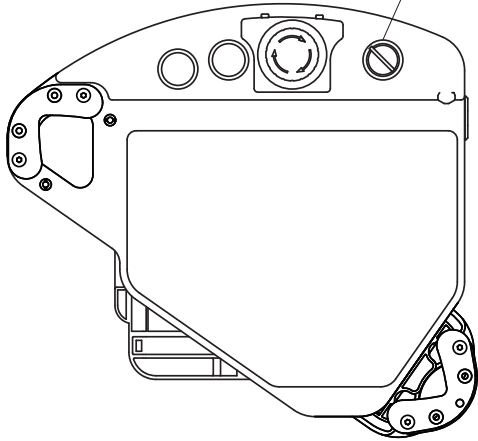
Connector symbol on the HT4P main body side	Cable Color *3	D-sub37p Pin Number *4	Function	HT4P-SLSPL-W-R0002
A	Black	1	Main power	24V DC+
B	White	2		24V DC-
C	Shield (Inner/Outer)	21		Functional earth terminal
D	Blue	5	Ethernet	TPO+ (Ethernet Send data+)
E	White/Blue	6		TPO- (Ethernet Send data-)
F	Orange	7		TPI+ (Ethernet Received data+)
G	White/Orange	8		TPI- (Ethernet Received data-)
H	Blue	11	Mechanical switches	Selector switch 3-position [SW3] (NO1)
J	Gray	12		Selector switch 3-position [SW3] (COM1)
K	Orange	13		Selector switch 3-position [SW3] (NO2)
L	Purple	14		Selector switch 3-position [SW3] (COM2)
M	Pink	15		-
N	Bright green	16		-
P	White/Red	17		-
S	White/Yellow	19		-
T	White/Brown	27	Emergency stop switch	LED (X1)
U	White/Blue	28		LED (X2)
V	White/Gray	29		Contact 1 (NC)
W	White/Orange	30		Contact 1 (NC)
X	White/Purple	31		Contact 2 (NC)
Y	White/Pink	32		Contact 2 (NC)
Z	Red	33	Enabling switch	Contact 1 (COM)
a	Green	34		Contact 1 (NO)
b	Yellow	35		Contact 2 (COM)
c	Brown	36		Contact 2 (NO)



*3 Refers to the core cable color of the optional cable "HT9Z-4PC1*M".

*4 Refers to the pin number of the D-Sub37p connector of the option cable "HT9Z-4PC1*MC".
 No wiring on PIN numbers 3, 4, 9, 10, 20, 22 to 26, 37.

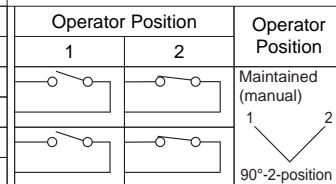
[SW3] Key selector switch
2-position / 2NO contact / maintained /
disk tumbler key
LB6K-2T2A



Connector on the HT4P main body side
Manufacturer: Amphenol Corp.
Type No.: RTS716N26P03

• External Interfaces

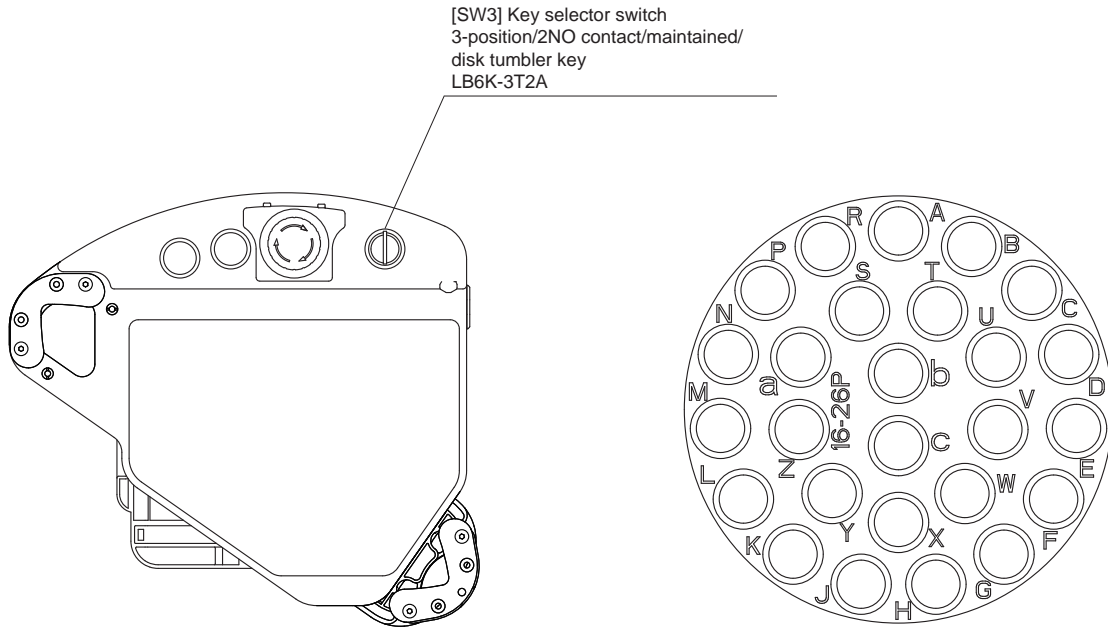
Connector symbol on the HT4P main body side	Cable Color *3	D-sub37p Pin Number *4	Function	HT4P-SLSPL-W-R0003
A	Black	1	Main power	24V DC+
B	White	2		24V DC-
C	Shield (Inner/Outer)	21		Functional earth terminal
D	Blue	5	Ethernet	TPO+ (Ethernet Send data+)
E	White/Blue	6		TPO- (Ethernet Send data-)
F	Orange	7		TPI+ (Ethernet Received data+)
G	White/Orange	8		TPI- (Ethernet Received data-)
H	Blue	11	Mechanical switches	Key selector switch 2-position [SW3] (NO1)
J	Gray	12		Key selector switch 2-position [SW3] (COM1)
K	Orange	13		Key selector switch 2-position [SW3] (NO2)
L	Purple	14		Key selector switch 2-position [SW3] (COM2)
M	Pink	15		-
N	Bright green	16		-
P	White/Red	17		-
R	White/Green	18		-
S	White/Yellow	19	-	
T	White/Brown	27	Emergency stop switch	LED (X1)
U	White/Blue	28		LED (X2)
V	White/Gray	29		Contact 1 (NC)
W	White/Orange	30		Contact 1 (NC)
X	White/Purple	31		Contact 2 (NC)
Y	White/Pink	32	Contact 2 (NC)	
Z	Red	33	Enabling switch	Contact 1 (COM)
a	Green	34		Contact 1 (NO)
b	Yellow	35		Contact 2 (COM)
c	Brown	36	Contact 2 (NO)	



*3 Refers to the core cable color of the optional cable "HT9Z-4PC1*M".

*4 Refers to the pin number of the D-Sub37p connector of the option cable "HT9Z-4PC1*MC".

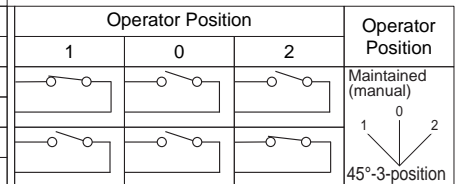
No wiring on PIN numbers 3, 4, 9, 10, 20, 22 to 26, 37.



Connector on the HT4P main body side
 Manufacturer: Amphenol Corp.
 Type No.: RTS716N26P03

• External Interfaces

Connector symbol on the HT4P main body side	Cable Color *3	D-sub37p Pin Number *4	Function	HT4P-SLSPL-W-R0004
A	Black	1	Main power	24V DC+
B	White	2		24V DC-
C	Shield (Inner/Outer)	21		Functional earth terminal
D	Blue	5	Ethernet	TPO+ (Ethernet Send data+)
E	White/Blue	6		TPO- (Ethernet Send data-)
F	Orange	7		TPI+ (Ethernet Received data+)
G	White/Orange	8		TPI- (Ethernet Received data-)
H	Blue	11	Mechanical switches	Key selector switch 3-position [SW3] (NO1)
J	Gray	12		Key selector switch 3-position [SW3] (COM1)
K	Orange	13		Key selector switch 3-position [SW3] (NO2)
L	Purple	14		Key selector switch 3-position [SW3] (COM2)
M	Pink	15		-
N	Bright green	16		-
P	White/Red	17		-
S	White/Yellow	19		-
T	White/Brown	27	Emergency stop switch	LED (X1)
U	White/Blue	28		LED (X2)
V	White/Gray	29		Contact 1 (NC)
W	White/Orange	30		Contact 1 (NC)
X	White/Purple	31		Contact 2 (NC)
Y	White/Pink	32	Contact 2 (NC)	
Z	Red	33	Enabling switch	Contact 1 (COM)
a	Green	34		Contact 1 (NO)
b	Yellow	35		Contact 2 (COM)
c	Brown	36		Contact 2 (NO)

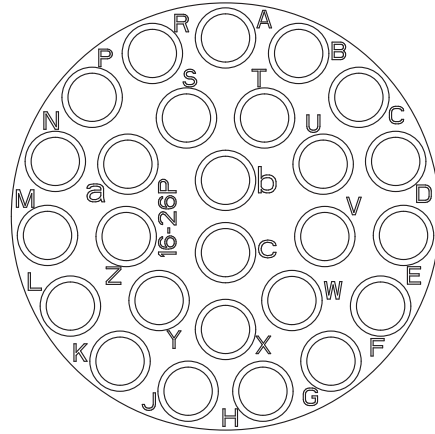
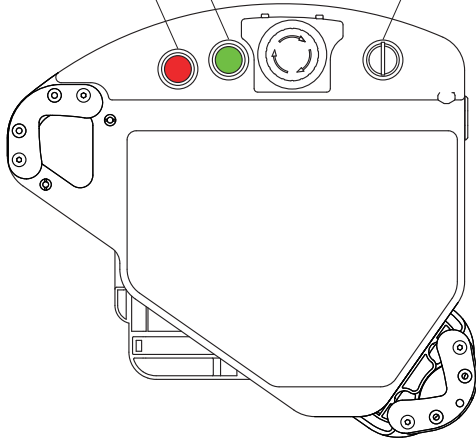


*3 Refers to the core cable color of the optional cable "HT9Z-4PC1*M".
 *4 Refers to the pin number of the D-Sub37p connector of the option cable "HT9Z-4PC1*MC".
 No wiring on PIN numbers 3, 4, 9, 10, 20, 22 to 26, 37.

[SW2] Illuminated pushbuttons
Green/1NO contact/
momentary
LB6L-M1T14G

[SW1] Illuminated pushbuttons
Red/1NO contact/
momentary
LB6L-M1T14R

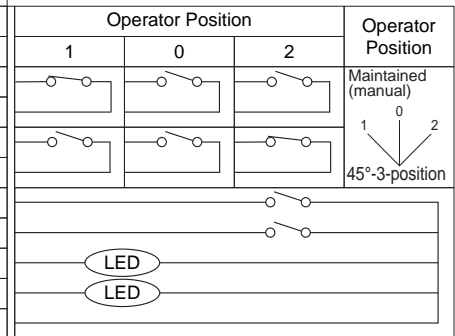
[SW3] Key selector switch
3-position/2NO contact/maintained/
disk tumbler key
LB6K-3T2A



Connector on the HT4P main body side
Manufacturer: Amphenol Corp.
Type No.: RTS716N26P03

• External Interfaces

Connector symbol on the HT4P main body side	Cable Color *3	D-sub37p Pin Number *4	Function	HT4P-SLSPL-W-R0005
A	Black	1	Main power	24V DC+
B	White	2		24V DC-
C	Shield (Inner/Outer)	21		Functional earth terminal
D	Blue	5	Ethernet	TPO+ (Ethernet Send data+)
E	White/Blue	6		TPO- (Ethernet Send data-)
F	Orange	7		TPI+ (Ethernet Received data+)
G	White/Orange	8		TPI- (Ethernet Received data-)
H	Blue	11	Mechanical switches	Key selector switch 3-position [SW3] (NO1)
J	Gray	12		Key selector switch 3-position [SW3] (COM1)
K	Orange	13		Key selector switch 3-position [SW3] (NO2)
L	Purple	14		Key selector switch 3-position [SW3] (COM2)
M	Pink	15		Illuminated pushbuttons Green [SW2] (NO1)
N	Bright green	16		Illuminated pushbuttons Red [SW1] (NO1)
P	White/Red	17		Illuminated pushbuttons Green [SW2] (LED) (24V DC)
R	White/Green	18		Illuminated pushbuttons Red [SW1] (LED) (24V DC)
S	White/Yellow	19	Illuminated pushbuttons ([SW1] [SW2] COM)	
T	White/Brown	27	Emergency stop switch	LED (X1)
U	White/Blue	28		LED (X2)
V	White/Gray	29		Contact 1 (NC)
W	White/Orange	30		Contact 1 (NC)
X	White/Purple	31		Contact 2 (NC)
Y	White/Pink	32		Contact 2 (NC)
Z	Red	33	Enabling switch	Contact 1 (COM)
a	Green	34		Contact 1 (NO)
b	Yellow	35		Contact 2 (COM)
c	Brown	36	Contact 2 (NO)	



*3 Refers to the core cable color of the optional cable "HT9Z-4PC1*M".

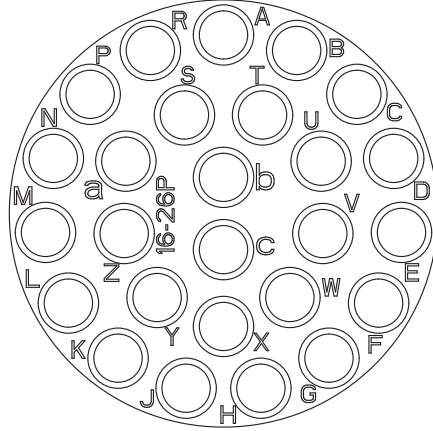
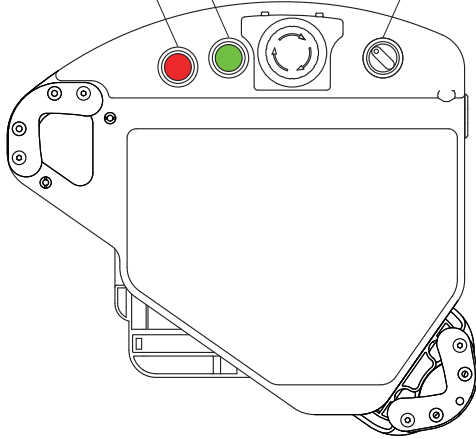
*4 Refers to the pin number of the D-Sub37p connector of the option cable "HT9Z-4PC1*MC".

No wiring on PIN numbers 3, 4, 9, 10, 20, 22 to 26, 37.

[SW2] Illuminated pushbuttons
Green/1NO contact/
momentary
LB6L-M1T14G

[SW1] Illuminated pushbuttons
Red/1NO contact/
momentary
LB6L-M1T14R

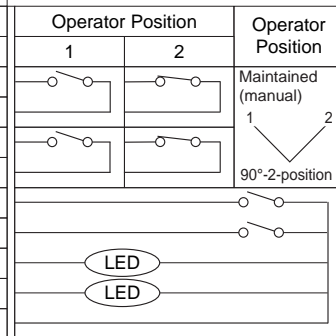
[SW3] Selector switch
2-position/2NO contact/maintained/
knob operator
LB6S-2T2



Connector on the HT4P main body side
Manufacturer: Amphenol Corp.
Type No.: RTS716N26P03

• External Interfaces

Connector symbol on the HT4P main body side	Cable Color *3	D-sub37p Pin Number *4	Function	HT4P-SLSPL-W-R0006
A	Black	1	Main power	24V DC+
B	White	2		24V DC-
C	Shield (Inner/Outer)	21		Functional earth terminal
D	Blue	5	Ethernet	TPO+ (Ethernet Send data+)
E	White/Blue	6		TPO- (Ethernet Send data-)
F	Orange	7		TPI+ (Ethernet Received data+)
G	White/Orange	8		TPI- (Ethernet Received data-)
H	Blue	11	Mechanical switches	Selector switch 2-position [SW3] (NO1)
J	Gray	12		Selector switch 2-position [SW3] (COM1)
K	Orange	13		Selector switch 2-position [SW3] (NO2)
L	Purple	14		Selector switch 2-position [SW3] (COM2)
M	Pink	15		Illuminated pushbuttons Green [SW2] (NO1)
N	Bright green	16		Illuminated pushbuttons Red [SW1] (NO1)
P	White/Red	17		Illuminated pushbuttons Green [SW2] (LED) (24V DC)
R	White/Green	18		Illuminated pushbuttons Red [SW1] (LED) (24V DC)
S	White/Yellow	19		Illuminated pushbuttons ([SW1] [SW2] COM)
T	White/Brown	27		LED (X1)
U	White/Blue	28	LED (X2)	
V	White/Gray	29	Emergency stop switch	Contact 1 (NC)
W	White/Orange	30		Contact 1 (NC)
X	White/Purple	31		Contact 2 (NC)
Y	White/Pink	32		Contact 2 (NC)
Z	Red	33	Enabling switch	Contact 1 (COM)
a	Green	34		Contact 1 (NO)
b	Yellow	35		Contact 2 (COM)
c	Brown	36	Contact 2 (NO)	

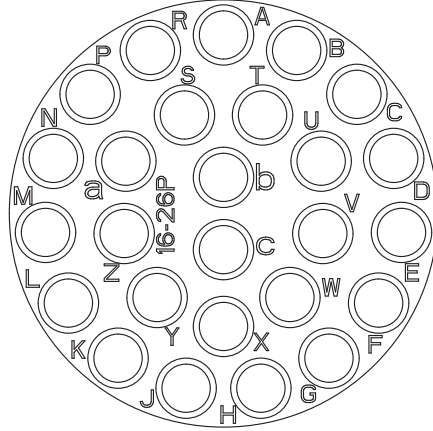
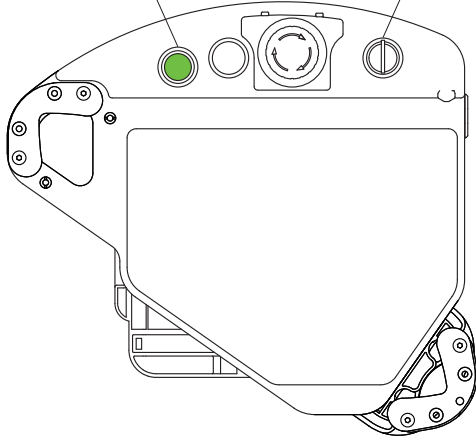


*3 Refers to the core cable color of the optional cable "HT9Z-4PC1*M".

*4 Refers to the pin number of the D-Sub37p connector of the option cable "HT9Z-4PC1*MC".
No wiring on PIN numbers 3, 4, 9, 10, 20, 22 to 26, 37.

[SW1] Illuminated pushbuttons
Green/1NO contact/
momentary
LB6L-M1T14G

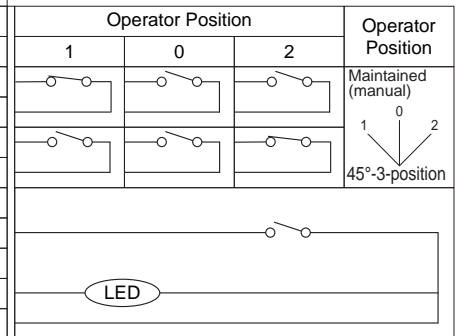
[SW2] Key selector switch
3-position/2NO contact/maintained/
disk tumbler key
LB6K-3T2A



Connector on the HT4P main body side
Manufacturer: Amphenol Corp.
Type No.: RTS716N26P03

• External Interfaces

Connector symbol on the HT4P main body side	Cable Color *3	D-sub37p Pin Number *4	Function	HT4P-SLSPL-W-R0007
A	Black	1	Main power	24V DC+
B	White	2		24V DC-
C	Shield (Inner/Outer)	21		Functional earth terminal
D	Blue	5	Ethernet	TPO+ (Ethernet Send data+)
E	White/Blue	6		TPO- (Ethernet Send data-)
F	Orange	7		TPI+ (Ethernet Received data+)
G	White/Orange	8		TPI- (Ethernet Received data-)
H	Blue	11	Mechanical switches	Key selector switch 3-position [SW3] (NO1)
J	Gray	12		Key selector switch 3-position [SW3] (COM1)
K	Orange	13		Key selector switch 3-position [SW3] (NO2)
L	Purple	14		Key selector switch 3-position [SW3] (COM2)
M	Pink	15		-
N	Bright green	16		Illuminated pushbuttons Green [SW1] (NO1)
P	White/Red	17		-
R	White/Green	18		Illuminated pushbuttons Green [SW1] (LED) (24V DC)
S	White/Yellow	19		Illuminated pushbuttons [SW1] (COM)
T	White/Brown	27	Emergency stop switch	LED (X1)
U	White/Blue	28		LED (X2)
V	White/Gray	29		Contact 1 (NC)
W	White/Orange	30		Contact 1 (NC)
X	White/Purple	31		Contact 2 (NC)
Y	White/Pink	32		Contact 2 (NC)
Z	Red	33	Enabling switch	Contact 1 (COM)
a	Green	34		Contact 1 (NO)
b	Yellow	35		Contact 2 (COM)
c	Brown	36	Contact 2 (NO)	



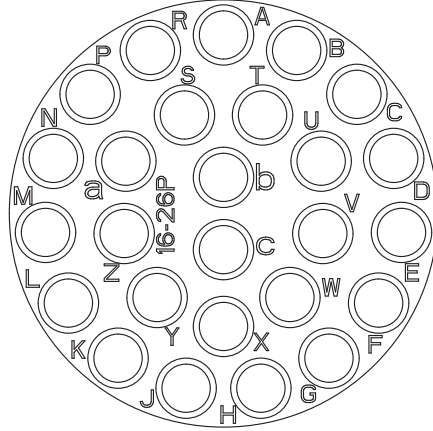
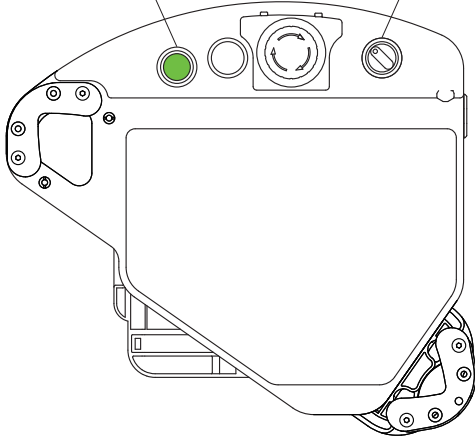
*3 Refers to the core cable color of the optional cable "HT9Z-4PC1*M".

*4 Refers to the pin number of the D-Sub37p connector of the option cable "HT9Z-4PC1*MC".

No wiring on PIN numbers 3, 4, 9, 10, 20, 22 to 26, 37.

[SW1] Illuminated pushbuttons
Green/1NO contact/
momentary
LB6L-M1T14G

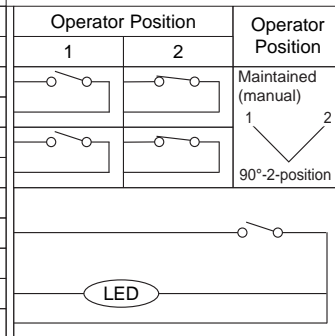
[SW3] Selector switch
2-position/2NO contact/maintained/
knob operator
LB6S-2T2



Connector on the HT4P main body side
Manufacturer: Amphenol Corp.
Type No.: RTS716N26P03

• External Interfaces

Connector symbol on the HT4P main body side	Cable Color *3	D-sub37p Pin Number *4	Function	HT4P-SLSPL-W-R0008
A	Black	1	Main power	24V DC+
B	White	2		24V DC-
C	Shield (Inner/Outer)	21		Functional earth terminal
D	Blue	5	Ethernet	TPO+ (Ethernet Send data+)
E	White/Blue	6		TPO- (Ethernet Send data-)
F	Orange	7		TPI+ (Ethernet Received data+)
G	White/Orange	8		TPI- (Ethernet Received data-)
H	Blue	11	Mechanical switches	Selector switch 2-position [SW3] (NO1)
J	Gray	12		Selector switch 2-position [SW3] (COM1)
K	Orange	13		Selector switch 2-position [SW3] (NO2)
L	Purple	14		Selector switch 2-position [SW3] (COM2)
M	Pink	15		-
N	Bright green	16		Illuminated pushbuttons Green [SW1] (NO1)
P	White/Red	17		-
R	White/Green	18		Illuminated pushbuttons Green [SW1] (LED) (24V DC)
S	White/Yellow	19	Illuminated pushbuttons [SW1] (COM)	
T	White/Brown	27	Emergency stop switch	LED (X1)
U	White/Blue	28		LED (X2)
V	White/Gray	29		Contact 1 (NC)
W	White/Orange	30		Contact 1 (NC)
X	White/Purple	31		Contact 2 (NC)
Y	White/Pink	32	Contact 2 (NC)	
Z	Red	33	Enabling switch	Contact 1 (COM)
a	Green	34		Contact 1 (NO)
b	Yellow	35		Contact 2 (COM)
c	Brown	36	Contact 2 (NO)	



*3 Refers to the core cable color of the optional cable "HT9Z-4PC1*M".

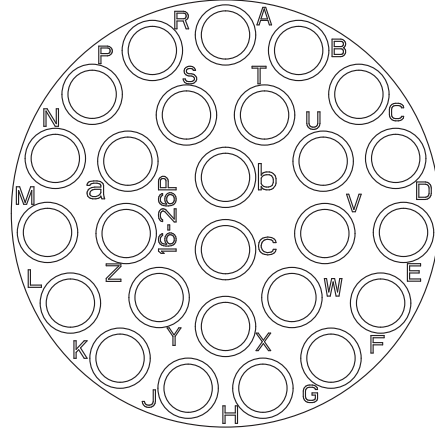
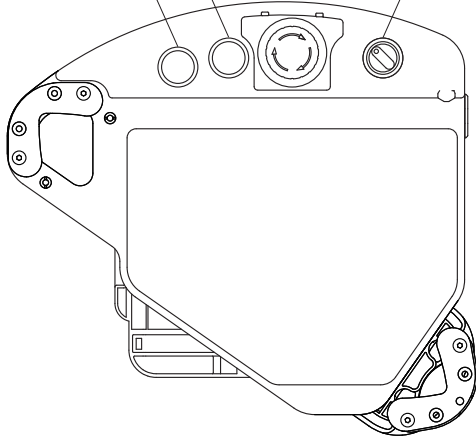
*4 Refers to the pin number of the D-Sub37p connector of the option cable "HT9Z-4PC1*MC".

No wiring on PIN numbers 3, 4, 9, 10, 20, 22 to 26, 37.

[SW2] Pushbuttons
White/1NO contact/
momentary
LB6B-M1T1W

[SW1] Pushbuttons
White/1NO contact/
momentary
LB6B-M1T1W

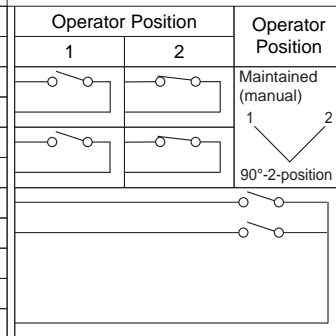
[SW3] Selector switch
2-position/2NO contact/maintained/
knob operator
LB6S-2T2



Connector on the HT4P main body side
Manufacturer: Amphenol Corp.
Type No.: RTS716N26P03

• External Interfaces

Connector symbol on the HT4P main body side	Cable Color *3	D-sub37p Pin Number *4	Function	HT4P-SLSPL-W-R0009
A	Black	1	Main power	24V DC+
B	White	2		24V DC-
C	Shield (Inner/Outer)	21		Functional earth terminal
D	Blue	5	Ethernet	TPO+ (Ethernet Send data+)
E	White/Blue	6		TPO- (Ethernet Send data-)
F	Orange	7		TPI+ (Ethernet Received data+)
G	White/Orange	8		TPI- (Ethernet Received data-)
H	Blue	11	Mechanical switches	Selector switch 2-position [SW3] (NO1)
J	Gray	12		Selector switch 2-position [SW3] (COM1)
K	Orange	13		Selector switch 2-position [SW3] (NO2)
L	Purple	14		Selector switch 2-position [SW3] (COM2)
M	Pink	15		Pushbuttons White [SW2] (NO1)
N	Bright green	16		Pushbuttons White [SW1] (NO1)
P	White/Red	17		-
R	White/Green	18		-
S	White/Yellow	19		Pushbuttons ([SW1] [SW2] COM)
T	White/Brown	27		Emergency stop switch
U	White/Blue	28	LED (X2)	
V	White/Gray	29	Contact 1 (NC)	
W	White/Orange	30	Contact 1 (NC)	
X	White/Purple	31	Contact 2 (NC)	
Y	White/Pink	32	Contact 2 (NC)	
Z	Red	33	Enabling switch	Contact 1 (COM)
a	Green	34		Contact 1 (NO)
b	Yellow	35		Contact 2 (COM)
c	Brown	36	Contact 2 (NO)	



*3 Refers to the core cable color of the optional cable "HT9Z-4PC1*M".

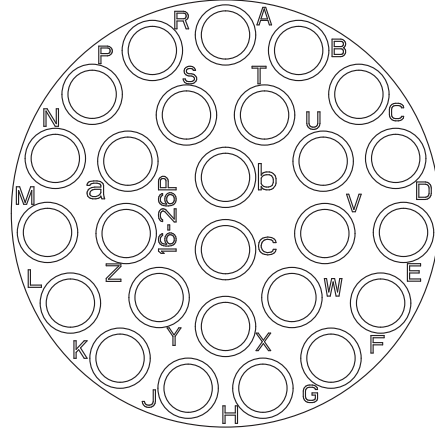
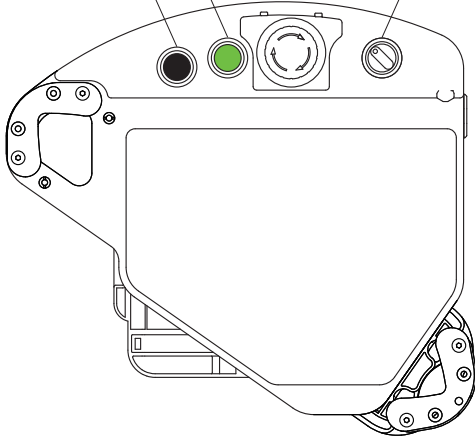
*4 Refers to the pin number of the D-Sub37p connector of the option cable "HT9Z-4PC1*MC".

No wiring on PIN numbers 3, 4, 9, 10, 20, 22 to 26, 37.

[SW2] Illuminated pushbuttons
Green/1NO contact/
momentary
LB6L-M1T14G

[SW1] Pushbuttons
Black/1NO contact/
momentary
LB6B-M1T1B

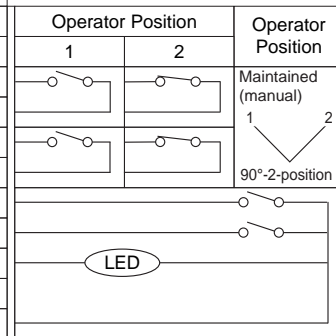
[SW3] Selector switch
2-position/2NO contact/maintained/
knob operator
LB6S-2T2



Connector on the HT4P main body side
Manufacturer: Amphenol Corp.
Type No.: RTS716N26P03

• External Interfaces

Connector symbol on the HT4P main body side	Cable Color *3	D-sub37p Pin Number *4	Function	HT4P-SLSPL-W-R0010
A	Black	1	Main power	24V DC+
B	White	2		24V DC-
C	Shield (Inner/Outer)	21		Functional earth terminal
D	Blue	5	Ethernet	TPO+ (Ethernet Send data+)
E	White/Blue	6		TPO- (Ethernet Send data-)
F	Orange	7		TPI+ (Ethernet Received data+)
G	White/Orange	8		TPI- (Ethernet Received data-)
H	Blue	11	Mechanical switches	Selector switch 2-position [SW3] (NO1)
J	Gray	12		Selector switch 2-position [SW3] (COM1)
K	Orange	13		Selector switch 2-position [SW3] (NO2)
L	Purple	14		Selector switch 2-position [SW3] (COM2)
M	Pink	15		Illuminated pushbuttons Green [SW2] (NO1)
N	Bright green	16		Pushbuttons Black [SW1] (NO1)
P	White/Red	17		Illuminated pushbuttons Green [SW2] (LED) (24V DC)
R	White/Green	18		-
S	White/Yellow	19		Pushbuttons ([SW1] [SW2] COM)
T	White/Brown	27		Emergency stop switch
U	White/Blue	28	LED (X2)	
V	White/Gray	29	Contact 1 (NC)	
W	White/Orange	30	Contact 1 (NC)	
X	White/Purple	31	Contact 2 (NC)	
Y	White/Pink	32	Contact 2 (NC)	
Z	Red	33	Enabling switch	Contact 1 (COM)
a	Green	34		Contact 1 (NO)
b	Yellow	35		Contact 2 (COM)
c	Brown	36	Contact 2 (NO)	



*3 Refers to the core cable color of the optional cable "HT9Z-4PC1*M".

*4 Refers to the pin number of the D-Sub37p connector of the option cable "HT9Z-4PC1*MC".
No wiring on PIN numbers 3, 4, 9, 10, 20, 22 to 26, 37.