

# INSTRUCTION SHEET

## Expansion Module Clamp for HG series



Confirm that the delivered product is what you have ordered. Read this instruction sheet to make sure of correct operation. Make sure that the instruction sheet is kept by the end user.

### SAFETY NOTE

In this operation instruction sheet, safety precautions are categorized in order of importance to Warning and Caution:

#### WARNING

Warning notices are used to emphasize that improper operation may cause severe personal injury or death.

#### CAUTION

Caution notices are used where inattention might cause personal injury or damage to equipment.

### 1 Type

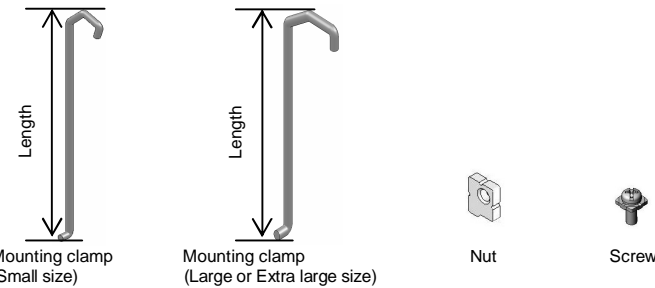
HG9Z-XJ\_PN05

: Applicable thickness code  
(Indicates a thickness of one or two MICRO Smart expansion module. Refer to "5 Applicable expansion module".)

Type No.	: Applicable thickness code	Thickness of one or two MICRO Smart expansion module
HG9Z-XJ3PN05	3	17.6 ~ 41.1
HG9Z-XJ4PN05	4	47.0 ~ 68.8
HG9Z-XJ5PN05	5	70.5 ~ 92.3

### 2 Packing Content

Type No.	Product Name	Qt.
HG9Z-XJ3PN05	Mounting clamp(Small size) (Length : about 37mm)	5
	Nut	5
	Screw	5
HG9Z-XJ4PN05	Mounting clamp(Large size) (Length : about 66mm)	5
	Nut	5
	Screw	5
HG9Z-XJ5PN05	Mounting clamp(Extra large size) (Length : about 90mm)	5
	Nut	5
	Screw	5



Attachment: Instruction sheet (this sheet)

### 3 Notes for Operation

- For confirmation about the environmental specification and the operating environment for installation, see the instruction manual of HG series.
- Regularly check the mounting clamp is tightened sufficiently. If the mounting clamp is loose, tighten it to the recommended tightening torque.

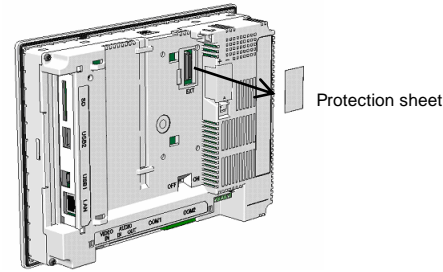
#### CAUTION

- Turn off the power supply when you set up the unit, connect cables or perform maintenance and inspection.
- Before connecting the expansion module, see the instruction manual of HG series. Incorrect handling of the HG will result in falling, failure, electrical shock, fire hazard, or malfunction.
- Do not deform the mounting clamp. If the mounting clamp is deformed, the expansion module is not in the right position.

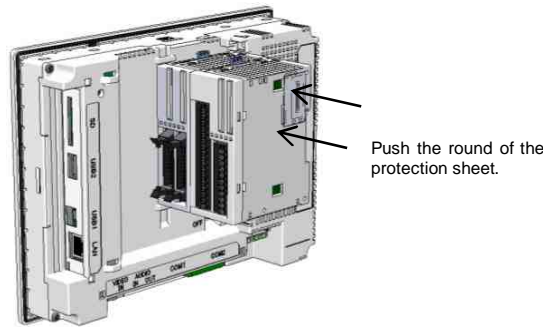
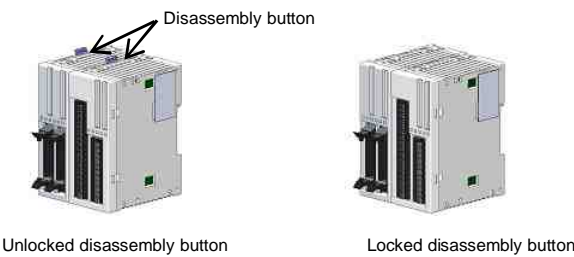
### 4 Installation

The following example demonstrates the procedure of HG3G/4G series. Note that procedure 4-6 is different for the HG2G-5F type.

Procedure 1. Remove the protection sheet of expansion module interface (EXT) form the HG series.



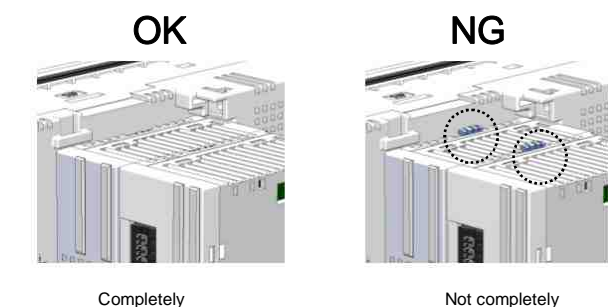
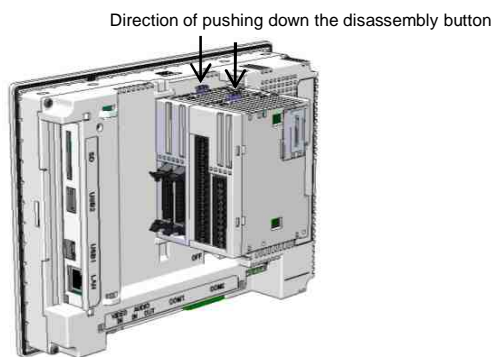
Procedure 2. Unlock disassembly buttons of expansion modules and then push the expansion modules into the back of the HG making sure of the position of the expansion module's connector. Push the round of the protection sheet of the expansion modules. And make sure there are no gaps between the HG and the expansion modules. Also make sure there are no gaps between expansion modules when using two or more modules.



Procedure 3. Fix the expansion modules by pushing down the disassembly buttons to the same position as the expansion module's upper side.

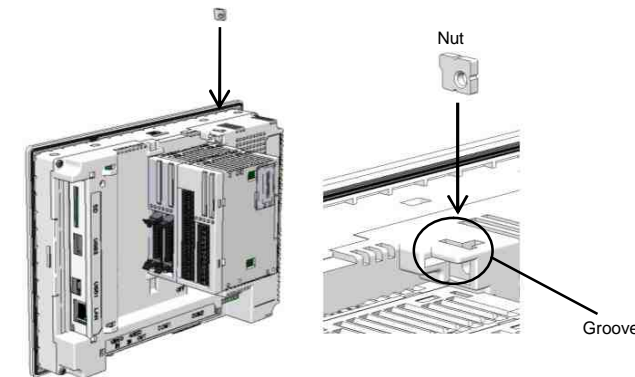
#### CAUTION

The communication errors may occur if the buttons are not completely pushed down.

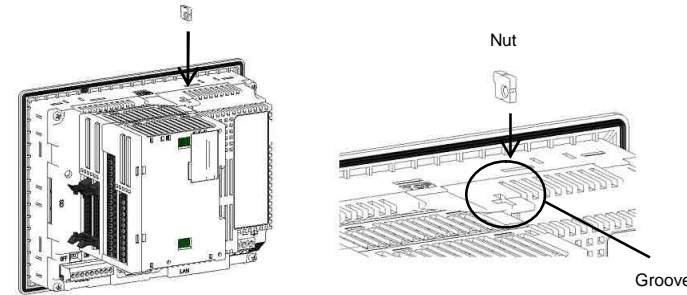


Procedure 4. Insert the nut into the groove of the HG series as shown in the following figure.

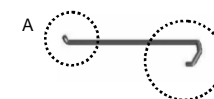
• HG3G/4G



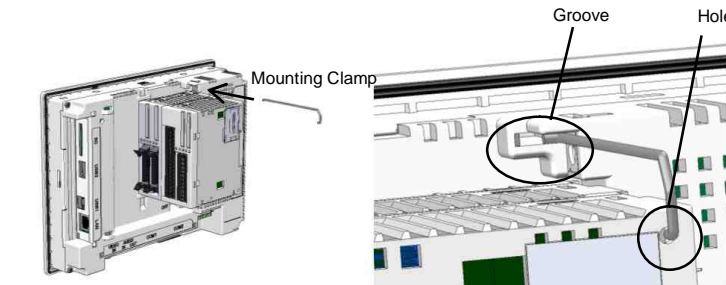
• HG2G-5F



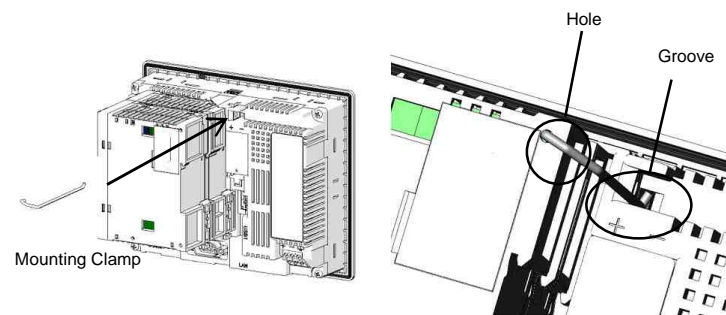
Procedure 5. Insert the A side of the mounting clamp into the groove. And hook the B side of the mounting clamp on the hole of the expansion module.



• HG3G/4G

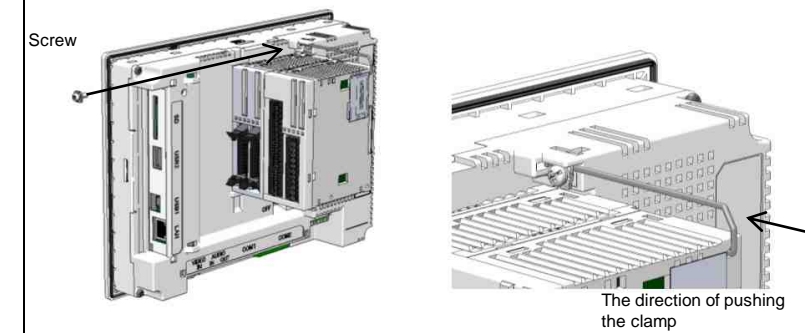


• HG2G-5F

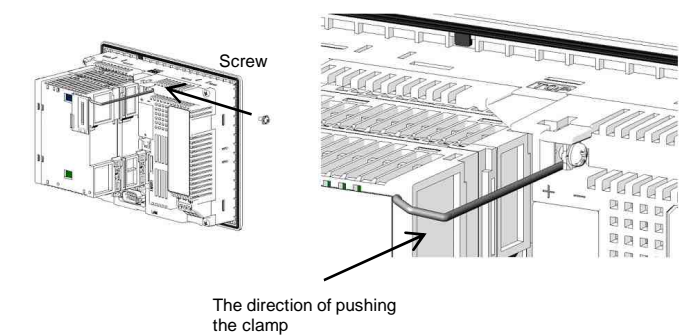


Procedure 6. Fasten the mounting clamp with the screw to a specified torque of 0.6 N·m pushing the mounting clamp as shown in the following figure. After fastening the mounting clamp, make sure that the mounting clamp is not loose and not having a gap.

• HG3G/4G



• HG2G-5F



#### CAUTION

- Use only the designated screw to fasten the mounting clamp.
- Make sure that the expansion modules are firmly fixed. If the modules are not completely fixed, the communication errors may occur.
- Do not apply any load to the expansion modules. (e.g. Prevent the module's case having the load of wiring.)

### 5 Applicable expansion module

Expansion module	Type	Thickness(W)
Digital Input	FC4A-N32B3	29.7
	FC4A-N16B1	17.6
	FC4A-N16B1	23.5
	FC4A-N08B1	23.5
Transistor Output	FC4A-N08A11	23.5
	FC4A-T32K3	29.7
	FC4A-T32S3	29.7
	FC4A-T16K3	17.6
	FC4A-T16S3	17.6
	FC4A-T08K1	23.5
Relay Output	FC4A-T08S1	23.5
	FC4A-R161	23.5
Mixed I/O	FC4A-R081	23.5
	FC4A-M24BR2	39.1
	FC4A-M08BR1	23.5

Unit ( mm )

#### CAUTION

- Use only the expansion modules that have been shown in the above-mentioned table.