

Panel Cut-Out

\*The 3.2<sup>+0.2</sup> recess is not necessary when neither nameplate nor anti-rotation ring is used.

Operation Type: Pushlock

Reset: Turnreset or Pullreset

Contact Arrangement(□□): 1b(01), 2b(02), 3b(03), 4b(04)  
1a1b(11)1a2b(12), 1a3b(13), 2a2b(22)

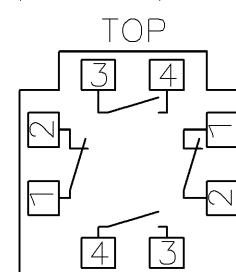
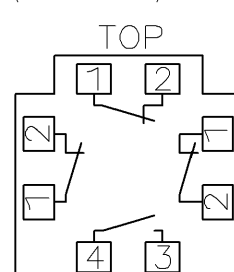
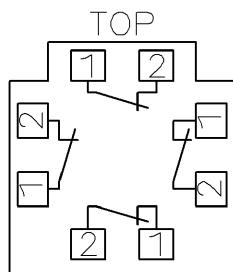
Button Color: Bright Red(RH)

Contact Configuration(Bottom View)

Main contact(NC contact) only.

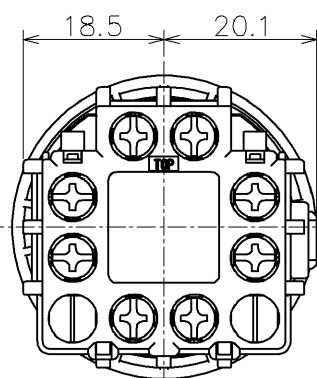
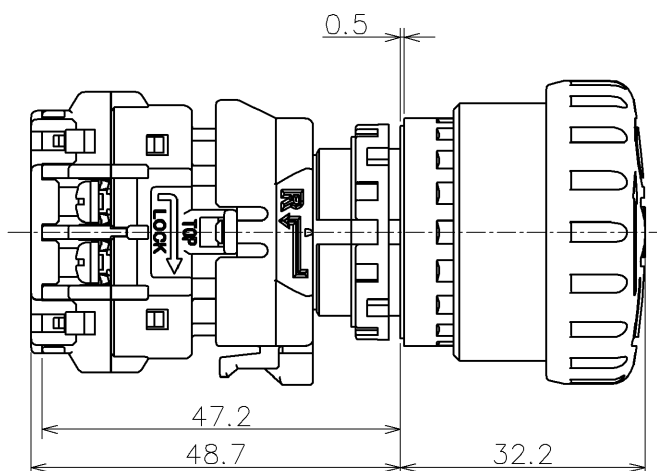
Monitor contact (1NO contact)included

Monitor contact (2NO contact)included

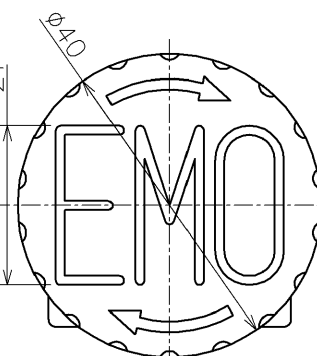
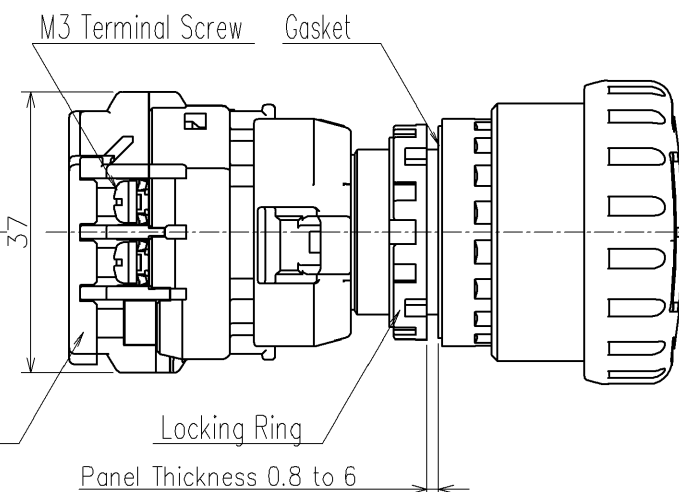


1NC: Terminals on the right.  
2NC: Terminals on the right and left.  
3NC: Terminals on the right, left and top.

1NC: Terminals on the top.  
2NC: Terminals on the right and left.



Terminal Cover  
XW9Z-VL2M



Product Name: XW SERIES EMERGENCY STOP SWITCH

Type Number: XW1E-BV4□□MRH-EMO

Approved by M.FUJIMOTO

2023/1/25

Dim.: m m

Outside View

Checked by Y.HANAOKA

2023/1/25

Drawing No. MA4-A04457C

Drawn by T.MATSUMOTO

2023/1/25